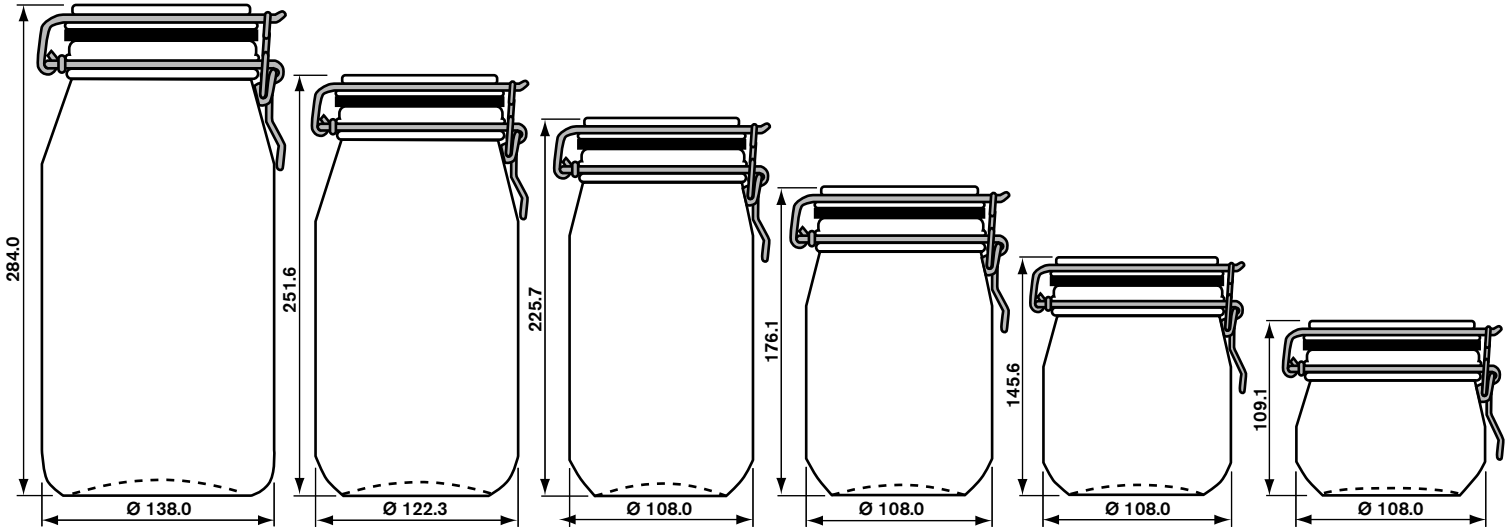


Le Parfait Jars

Bulk on Pallet



3 Liter

109 Fl. Oz.
Pallet Qty. 195 (L)
Pallet Wt. 670#

2 Liter

71 Fl. Oz.
Pallet Qty. 264 (L)
Pallet Wt. 577#

1 1/2 Liter

53 Fl. Oz.
Pallet Qty. 408 (L)
Pallet Wt. 767#

1 Liter

39 Fl. Oz.
Pallet Qty. 510 (L)
Pallet Wt. 778#

3/4 Liter

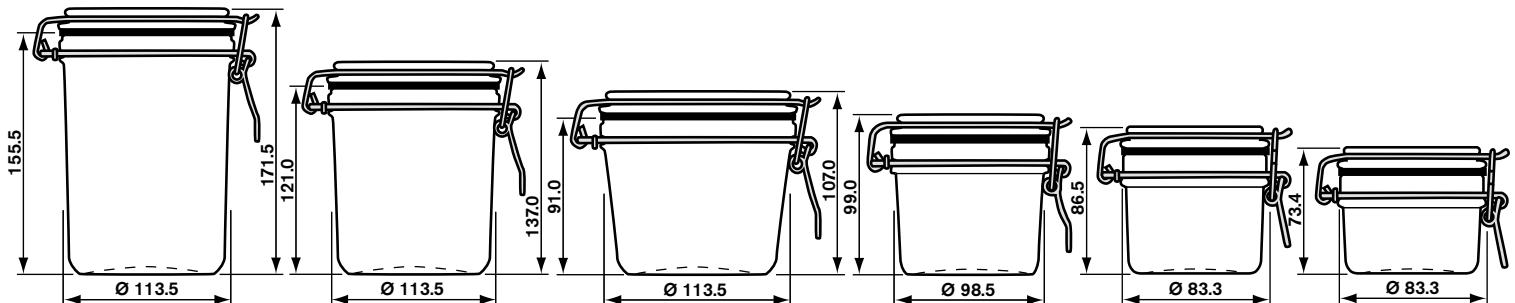
30 Fl. Oz.
Pallet Qty. 612 (L)
Pallet Wt. 825#

1/2 Liter

21 Fl. Oz.
Pallet Qty. 990 (L)
Pallet Wt. 1,093#

Le Parfait Terrines

Bulk on Pallet



1000 Gram

38 Fl. Oz.
Pallet Qty. 495 (L)
Pallet Wt. 920#

750 Gram

30 Fl. Oz.
Pallet Qty. 594 (L)
Pallet Wt. 949#

500 Gram

21 Fl. Oz.
Pallet Qty. 792 (L)
Pallet Wt. 1,072#

350 Gram

15 Fl. Oz.
Pallet Qty. 990 (L)
Pallet Wt. 992#

200 Gram

9 Fl. Oz.
Pallet Qty. 1,350 (L)
Pallet Wt. 1,072#

125 Gram

7 Fl. Oz.
Pallet Qty. 1,800 (L)
Pallet Wt. 1,298#

Sales &
Service
By:



Headquarters

1020 Milwaukee Avenue, Deerfield, IL 60015
Ph: 847-215-5170 • Fax: 847-215-4698
E-mail: sales@bannex.com

Sales Office

505 E. Main Street, Carnegie, PA 15106-2050
Ph: 412-279-3145 • Fax: 412-279-3910
E-mail: jheinerda@aol.com

For further information, please visit our website: www.bannex.com